



# Close Circuit Apollo Military





## Close Circuit Incursion O2 Magnetic

A safe and reliable military rebreather, supporting all mission profiles.

### FEATURES

- State of the art military rebreather with mission packs that cover everything from shallow combat swims in O2-CCR mode, tactical operations in SCR modes, both dedicated and underwater switchable, through to deep operations using heliox at 100m.
- Front or back-mount, with the same unit.
- Rugged with exceptional availability, backed by lifetime warranty on design, parts, materials and safety.
- Light: 10.3kg to 17.4kg depending on configuration, ready to dive including trim weights, scrubber and gas.
- Compact satchel style ( 35 x 41 x 16cm) including cylinder.
- Internal counter lungs for high entry or scooter use.
- Flood tolerant – can be recovered from a flood underwater without surfacing.
- > 4 hour scrubber duration, >6 hour gas duration.
- Lowest Work of Breathing in industry at:

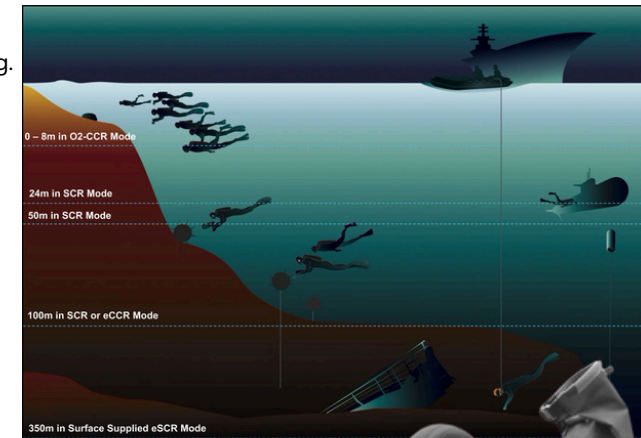
0.35 J/L at 10m, 62.5 lpm RMV

0.6 J/L at 40m on air, 40 lpm RMV

1.44 J/L at 40msw on air, 75lpm RMV

0.9 J/L at 100msw Heliox, 75lpm RMV

- Fully field serviceable without tools.
- Cylinders are avionic (vacuum) tested for HALO use.
- Integrates with OTS through water comms.
- Low-Mag as standard and Non-Mag options (to NATO STANAG 2897 Class A, static and dynamic tests).
- CE, NORSOK and NEDU standards compliant & certified.
- Functional Safety to SIL 3: audited, with full disclosure of safety case, all test data, FMECA, HAZOPs etc.
- Low acoustic signature to NATO STANAG 1158.
- Surface Buoyancy Device available.
- Clips to diveable tactical vest carrying body armour.
- Proven with Naval and Special Forces around the world from arctic to tropics.



### BENEFITS

Covers all mission profiles with one unit

Low cost in capital and ownership: lifetime warranty and free upgrade policy

Dive turn around time of minutes, using EACs and ready cleaning access

All test data published, audited and verified.





## FEATURES

- Modern tactical vest designed for Incursion rebreather by marine Special Forces.
- Incursion-CMR rebreathers clip directly to the tactical vest.
- Incursion Surface Buoyancy Vests clip directly.
- Super-hyperlon TPU laminate, laser cut and welded.
- Knife resistant, with internal plate carriers accommodating Level IV body armour (4 plates)
- Molle webbing, laser cut.
- Immediately dry / Fast drying / Fast drain
- Crotch strap and lifting points built into a single continuous 1800kg rated webbing, TPU coated and welded.
- Fast donning and doffing with sand tolerant moulded velcro cummerbund.
- Non-magnetic.
- Available with 750kg helicopter lift fittings as option.

## TECHNICAL INFORMATION

Weight: 1.2kg

Lift: 120kg, or 750kg with Helicopter Lift Fittings option

Use: Incursion Vest use with Close Circuit Incursion O2 Magnetic

Armour: Plate carriers for Level IV body armour up to 11" x 14" (front and rear), 6" x 8" (side plates), from 0mm up to 20mm thick.

## Incursion Vest

A safe and reliable military rebreather, supporting all mission profiles.



Close Circuit Apollo Military



## FEATURES

- Two layer surface buoyancy vest designed for the Incursion rebreather and tactical vests.
- Heavy duty triple laminated TPU inner bladder and Cordura 1640 outer.
- 16kg of lift when inflated.
- Bungee restricted, to fold compactly away from the rebreather.
- Clips to Incursion Tactical Vest.
- Includes 0.35L 300 bar cylinder.
- Manual inflator accessed via zip.
- Available in low magnetic and non-magnetic signature.
- EN 1809:1997 Compliant.

## Buoyancy Control Device

A safe and reliable military rebreather, supporting all mission profiles.



## TECHNICAL INFORMATION

Weight with cylinder: 2.2kg

Lift: 16kg / 35lbs / 156N

Use: Surface Buoyancy Vest for diver use with Incursion-CMR rebreather

Volume restriction: 450% stretch latex tubing, black, 4mm OD or 8mm OD.

Compliance: EN 1809:1997

## Service Kit

### FEATURES

- Comprehensive technician pack including tools and spares for Open Safety rebreathers.
- Includes full O-ring and lip-seal set described in datasheet, all flapper valves, diaphragms, and hard plastic parts that are recommended as spares if travelling to remote regions. The kit also includes all tools and lubricants.
- The spare parts kit includes:
  - One of each type of O-ring with a waterproof 1:1 O-ring chart.
  - Counterlung repair patch
  - Two C Clips for the ALVBOV Tubes
  - One of each type of Mushroom valve
  - Virkon, 10 tabs
  - Spare center pin for the EAC
  - Spare EAC Seal
  - Spare elastomer mouthpiece and cable tie
  - Screws for oxygen cell holder
  - One nut and one bolt for harness
  - O-ring pick
  - ALVBOV Faceplate
  - Jubilee clip covers
  - Gleitmo 599 and Tribolube 71
  - Spare parts storage container

### Tools

Specialist A-320 pin spanner and C-spanner  
Pressure gauge: intermediate pressure  
Seat adjustment tool  
Allen key set  
Inspection light, UV for O2 field clean check



## Transport case for navigation platform

A safe and reliable military rebreather, supporting all mission profiles.



### FEATURES

- This transportation container has a humidity control.
- Moisture control.
- There are 2 holes to secure container with cable or wire.
- There are 2 wheels and a pull container (extendable).
- There are 5 clips to close and lock the container.
- PVC material and black color.

### DIMENSIONS & WEIGHT

Dimensions 80 x 60 x 40 cm  
Weight 2,44 kg  
Volume 80 L

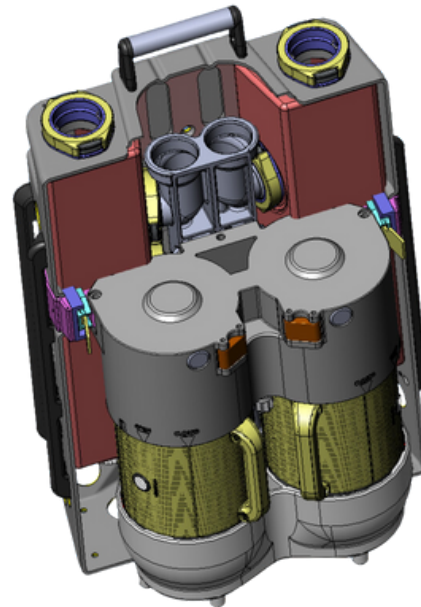
### Care and Storage Instructions

After use, wash in fresh water and allow to dry in a well ventilated area out of direct sunlight.  
Store in a well ventilated dry area away from direct sunlight.



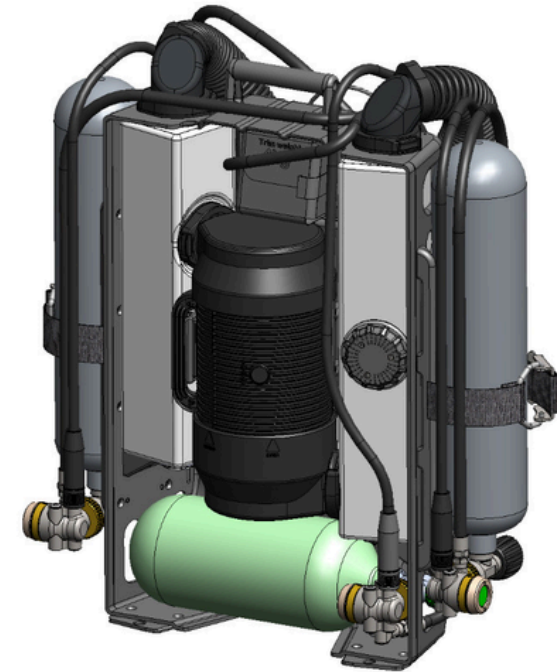
## FEATURES

- Filter or air filter used to filter CO2 and turn it into air that is safe to breathe again.
- Sheet-shaped and packed in
- tube, with a storage period of 5 years,
- at room temperature and good air circulation
- and good air circulation.
- Compatible and compatible with rebreathers/
- close circuit diving equipment in this spec,
- as it is a special order.
- 1 cartridge is attached to one
- rebreather and can be used for 4
- hours of diving (Maximum)



## Extend Air Cartridge

A safe and reliable military rebreather, supporting all mission profiles.



## Fin



### Features:

- Designed to be used with Amphibian Boots.
- Rubberized heel strap with size-adjusting belt.
- Has a lighter weight than fin in general.
- The fins on the fin are designed to make it easier for the user kicking with various styles.
- Color: black

## Amphibian Boots

A safe and reliable military rebreather, supporting all mission profiles.

### Features:

- An amphibious boot designed specifically for diving and beach landings.
- Has good drainage holes, make the water quickly drains out of the shoe.
- Has an upper sole material like a sock-like material that can reduce sand.
- The position of the eyelets is designed for long distance swimming.
- Can be used with various types of fins diving



## Tactical Dive Knife

### FEATURES

- Short size tactical dive knife. Blade length 80mm and handle 100 mm
- The blade is equipped with a serrated section.
- The tip of the blade is blunt. Made of HRC50 Titanium base material Alloy.
- Equipped with holster system SQR (Secure Quick Release) system.
- Total weight no more than 100 grams.
- Equipped with an additional holster belt of neoprene that can be attached to the arm and thigh.



## Wet Suit 3mm

### FEATURES

- Made of 3 mm neoprene material. Has a high level of flexibility, comfortable and easy to use.
- Pre-fitting, before packaging special hand and foot parts, easy to adjust the body shape.
- All seams use nylon thread, double stitched and special glue, thus reduces the risk of water ingress.
- Back, front and ankle zippers foot.
- Equipped with padding on the elbows, knees, and back for comfortable long-term use.



## Tactical Goggle

A safe and reliable military rebreather, supporting all mission profiles.



### FEATURES

- Uses Anti-Reflective lenses that are able to reduce the reflection of sun or artificial light.
- Skirting is made of thin silicone material and flexible blends with the face and comfortable for long time use.
- The distance between the left and right lenses is 0.5 cm, visibility is more wider viewing distance.
- Frame made of stainless steel aluminum.
- Has a small volume so it is easier for mask clearing





**UNIVERSAL  
SAFETY &  
SERVICES**

**Close Circuit Apollo Military**

**Universal Safety & Services PTE. LTD**

140a Corporation Drive, #07-20, Singapore 611140

Tel. +65 8787 4827 | [sales@uss.com.sg](mailto:sales@uss.com.sg)

[uss.com.sg](http://uss.com.sg)